

KC SERIES KCW SERIES

50W

36W (Wide Input Voltage Range)

AC-DC スイッチング電源



H30×W60×L132 (mm)

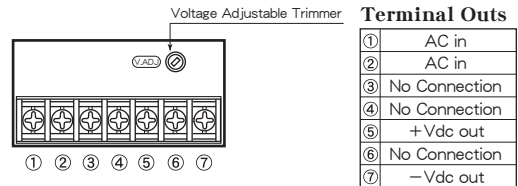
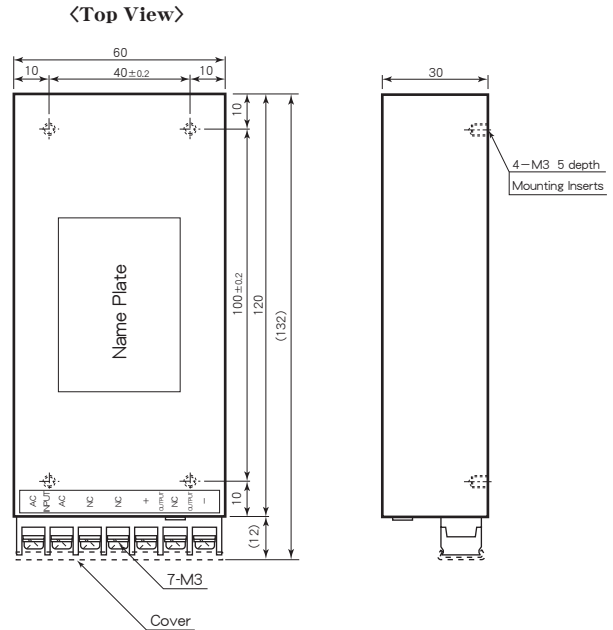
Features

- Wide Input Voltage Range (KCW)
AC85~264V
- Improved Power Factor
- Output Over Voltage Protection
- High Efficiency 83~88%
- Input-Output Isolation (AC1500V)
- Operating Ambient Temperature
-25°C~+71°C
- Adjustable Output Volt. ±5%
- Conformity to VCCI Class B
- Conformity to RoHS2 Directive
- ワイド入力電圧 (KCW)
AC85~264V
- 力率改善回路内蔵
- 出力過電圧保護回路内蔵
- 高効率 83~88%
- 入出力間絶縁 (AC1500V)
- 動作周囲温度
-25°C~+71°C
- 可変出力電圧 ±5%
- VCCI クラスB 準拠
- RoHS2指令対応

General Characteristics

- (at Ta : 25°C, Full Load, Nominal Vin)
- Input Voltage, Range
KC : AC100V (85~132V)
AC200V (175~264V)
KCW : AC160V (85~264V)
 - Input Frequency
47~440Hz
 - Power Factor
0.80 typ. (Vin : 50, 60Hz)
0.65 typ. (Vin : 400Hz)
 - Output Voltage, Current
See Table 1
 - Output Voltage Adjustment
±5%
 - Efficiency
See Table 1
 - Line Regulation
0.1% max. (at Vin Range)
 - Load Regulation
0.5% max.
1.5% max. (5V Vout only)
(0~100% Load)
 - Output Ripple
(0.1% Vout+40mV) p-p max. (Vin : 50, 60Hz)
(1% Vout+40mV) p-p max. (Vin : 400Hz)
 - Output Noise
(0.5% Vout+50mV) p-p max. (Vin : 50, 60Hz)
(1.5% Vout+50mV) p-p max. (Vin : 400Hz)
 - Short Circuit Protection
Built-in, Auto-restart (See Fig. 2)
 - Over Voltage Protection
115~140% Output Voltage
 - Temperature Coefficient
0.02%/°C max.
 - Operating Ambient Temp.
-25°C~+71°C (See Fig. 1)
 - Max. Case Temperature
+85°C
 - Storage Temperature
-40°C~+85°C
 - Isolation Voltage
AC1500V one minute
(Input-Output-Case)
 - Isolation Impedance
100MΩ min. (at DC1000V)
(Input-Output-Case)
 - Weight
550g max.
 - Humidity
20~95% RH
 - Shock
490m/s² (11msec 3directions)
 - Vibration
10~55Hz 98m/s²
(30minutes 3directions)
 - Surface Structure
Aluminum Case
 - MTBF
110,000H
(Ta : 25°C, 80% Load, Nominal Vin)
 - Warranty
5 years

Terminal Outs & Dimensions (±0.5mm)



Selection Guide

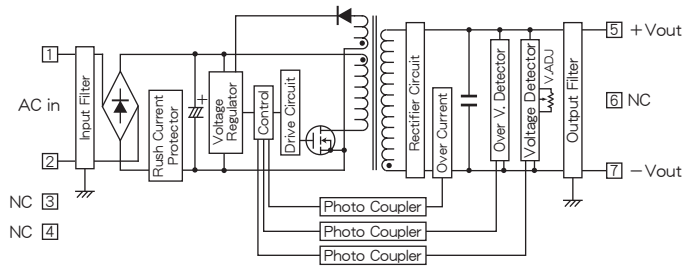
Table 1

Model Number	Input Volt. (Range) (V. AC)	Output Voltage (V. DC)	Output Current (A)	Efficiency 80% Load (%) (typ.)
KC100- 5S 10A	100 (85~132)	5	10	85
KC100- 12S 4.2A		12	4.2	87
KC100- 15S 3.3A		15	3.3	88
KC100- 24S 2.1A		24	2.1	88
KC200- 5S 10A	200 (175~264)	5	10	85
KC200- 12S 4.2A		12	4.2	87
KC200- 15S 3.3A		15	3.3	88
KC200- 24S 2.1A		24	2.1	88
KCW160- 5S 7A	160 (85~264)	5	7	83
KCW160- 12S 3A		12	3	85
KCW160- 15S 2.4A		15	2.4	86
KCW160- 24S 1.5A		24	1.5	86

※ 上記仕様以外にも対応可能ですので お問い合わせ下さい。
Please consult with us about other specification.

KC/KCW SERIES DATA SHEET

Block Diagram



Characteristic Curves

Fig. 1 Derating Curve

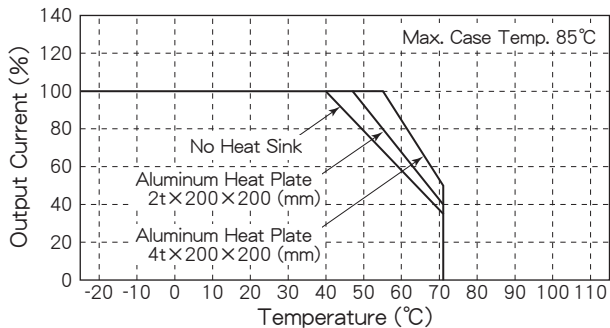


Fig. 2 Short Circuit Operating Area

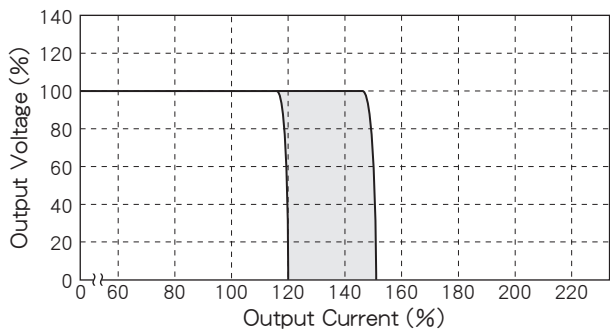


Fig. 3 Efficiency vs. Output Current

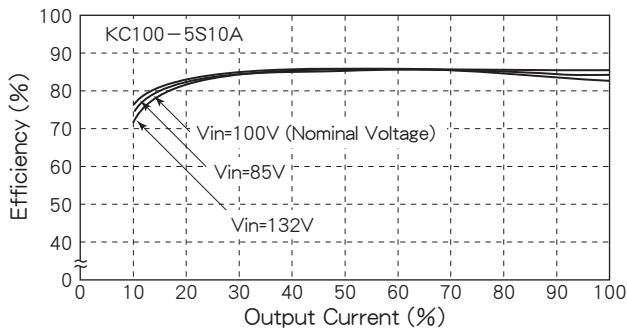


Fig. 4 Efficiency vs. Output Current

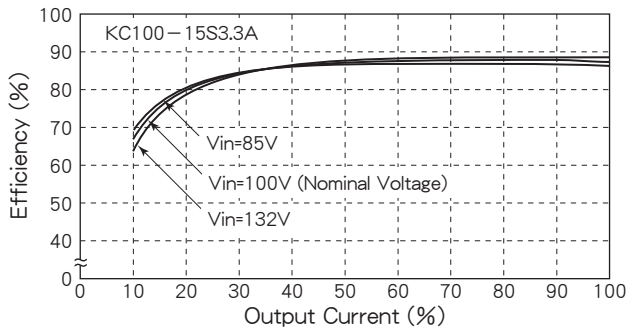


Fig. 5 Efficiency vs. Output Current

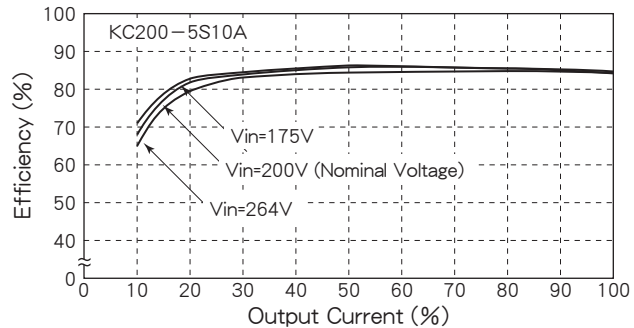


Fig. 6 Efficiency vs. Output Current

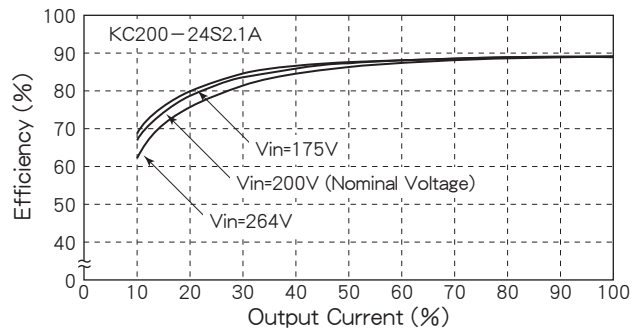


Fig. 7 Efficiency vs. Output Current

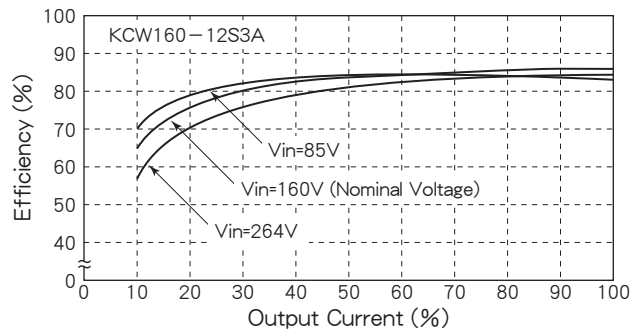


Fig. 8 Efficiency vs. Output Current

